

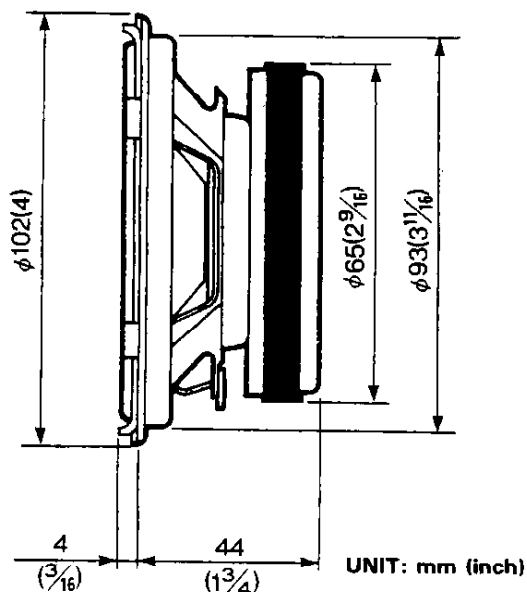
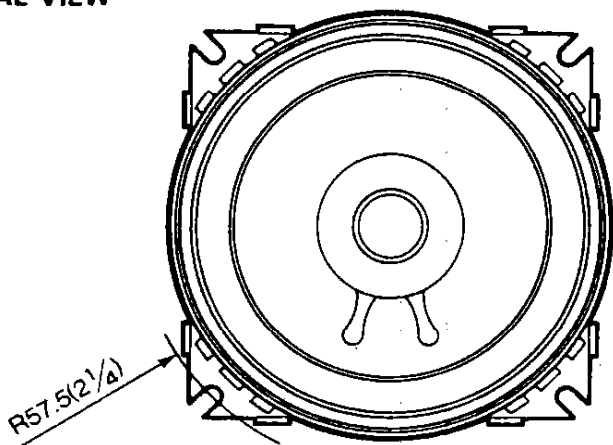
KFC-105E

SERVICE MANUAL

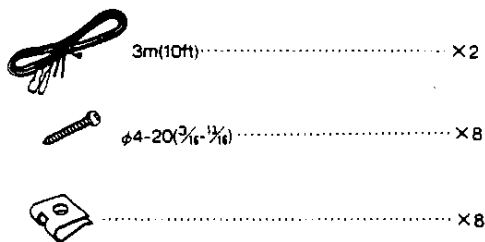
KENWOOD
Q.C.
COPY

©1989-3 PRINTED IN JAPAN
B51-6009-00(T)1110

EXTERNAL VIEW



PARTS INCLUDED



SPECIFICATIONS

Speaker	10cm(4 in) Cone type 127g(4.5oz) magnet
Peak power	40 watts
Frequency Response	60Hz - 20,000Hz
Sensitivity	90dB/W at 1m
Impedance	4 ohms
Weight per speaker	0.39kg(13.8oz)/pc.

(KENWOOD follows a policy of continuous advancements in development.
For this reason specifications may be changed without notice.)

PARTS LIST

★ New parts
Parts without **Parts No.** are not supplied.
Les articles non mentionnés dans le **Parts No.** ne sont pas fournis.
Teile ohne **Parts No.** werden nicht geliefert.

Ref No.	New Parts	Parts No.	Description
	★	B46-0100-10	WARRANTY CARD
	★	E30-1238-08	CORD SET
	★	N99-1088-08	SCREW SET
	★	T07-0152-08	SPEAKER

KENWOOD CORPORATION

Shinogi Shibuya Building, 17-5 2-chome Shibuya Shibuya-ku Tokyo 150, Japan

KENWOOD U.S.A. CORPORATION
2201 East Dominguez Street, Long Beach, CA 90810
550 Clark Drive Mount Olive, NJ 07828 U.S.A.

KENWOOD ELECTRONICS CANADA INC.
P.O. Box 1075 958 Gana Court, Mississauga, Ontario, Canada L4T 4C2

KENWOOD ELECTRONICS BENELUX N.V.
Mechelsesteenweg 418 B-1930 Zaventem Belgium

KENWOOD ELECTRONICS DEUTSCHLAND GMBH
Rembrucker-Str. 15, 6056 Heusenstamm, West Germany

TRIO-KENWOOD FRANCE S.A.
Hi-Fi-VIDEO-CAR Hi-Fi
13, Boulevard Ney 75018 Paris, France

TRIO-KENWOOD U.K. LTD
17 Bristol Road, The Metropolitan Centre, Greenford, Middx UB6 8UP England

KENWOOD ELECTRONICS AUSTRALIA PTY LTD
4E Woodcock Place, Lane Cove, N.S.W. 2066 Australia

KENWOOD & LEE ELECTRONICS, LTD
Wang Kee Building, 4th Floor, 34-37, Connaught Road, Central Hong Kong